

evr-green® e30 & e40 Electric Vehicle Charging Station

Level 2 EV Charging: 30 & 40 Amp, 7.2kW & 9.6kW

The Evr-Green e30 & e40 Electric Vehicle Charging Stations enable fast charging of any SAE 1772™ compatible electric vehicle. These new EV chargers deliver up to 9.6kW of power and offer a more compact, affordable, easy to use and easy to install solution to electric vehicle charging.

Features & Benefits:

- Compatible with all Electric Vehicle Supply Equipment (EVSE) Codes, Standards and Recommended Practices, including SAE J1772™, NEC 625, UL 2231 and UL 2594
- Compact size, and unique wiring compartment design provides a hassle-free installation
- Water-Resistant enclosure is rated NEMA Type 3R for indoor and outdoor use
- Thermoplastic, vandal-proof enclosure withstands the harshest environments
- “Auto-Reclosure” feature enables charging to restart following a minor fault, thereby reducing the chance of having an undercharged battery
- Ground monitor interrupter circuit for safety
- Integrated On/Off switch to minimize standby power
- Compatible with Evr-Green EVSE Pedestal System

Status indicator lights alert power, charging status and faults

Durable water-resistant enclosure withstands the harshest environments

18' EV charging cable*

Charging connector includes low cost locking feature



Ordering Information

Cat. No.	Description
EVR30-B18	Evr-Green e30 Charging Station, 208-240VAC, 7.2kW output, 18' charging cable, hardwired
EVR40-B25	Evr-Green e40 Charging Station, 208-240VAC, 9.6kW output, 25' charging cable, hardwired

EVR30-B18



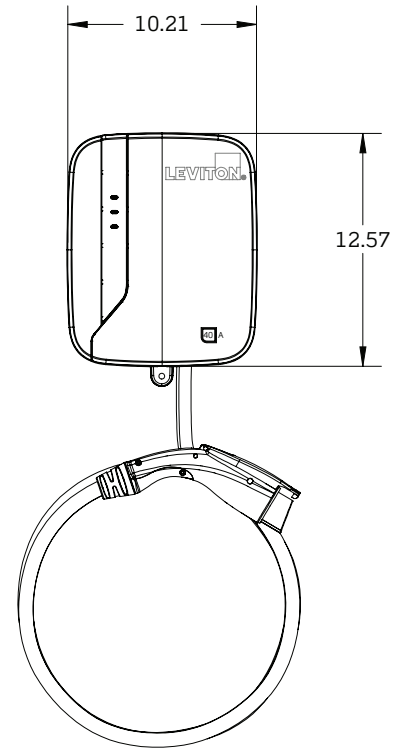
*40A EV Charging Station features 25' charging cable

Specifications

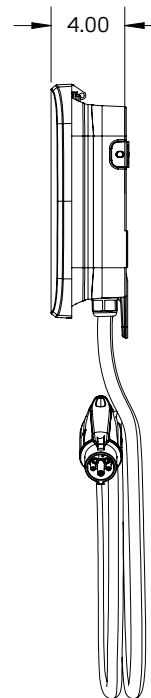
Electrical Input	EVR30-B18	EVR40-B25
Amperage	30A	40A
Breaker	40A	50A
Voltage	208VAC – 240VAC	
Electrical Output		
Output Power	7.2kW (30A@240V)	9.6kW (40A@240V)
Charging Connector	SAE J1772™ Charge Connector on 18' (5.48 m) or 25' (7.62 m) long cable	
Material Specifications		
Enclosure	Thermoplastic	
Charging Cable	UL Type EV	
Environmental Specifications		
Operating Temperature	-22°F to +122°F (-30°C to +50°C)	
Storage Temperature	-40°F to +176°F (-40°C to +80°C)	
Operating Humidity	< 95% relative humidity, non-condensing	
Enclosure	NEMA Type 3R	
Charge Connector	NEMA Type 3S	
Standards, Code & Recommended Practice		
UL 2251	Standard for Plugs, Receptacles and Couplers for Electric Vehicles	
UL 991	Standard for Tests for Safety-Related Controls Employing Solid-State Devices	
UL 2231-1	Standard for Personnel Protection Systems for Electric Vehicle (EV) Supply Circuits	
UL 2231-2	Standard for Safety for Personnel Protection Systems for Electric Vehicle (EV) Supply Circuits	
UL 1998	Standard for Software in Programmable Components	
UL 2594	Standard for Electric Vehicle Supply Equipment	
UL 62	Standard for EV Flexible Cables	
SAE J1772™	Electric Vehicle and Plug in Hybrid Electric Vehicle Conductive Charge Coupler	
NEC Article 625	Electric Vehicle Charging System Equipment	
FCC Part 15	Federal Communications Commission Part 15 Radio Frequency Devices Class B Residential Use	
NOM-ANCE	Norma Oficial Mexicana	

Dimensions

Front View



Side View



Visit our Website at:
www.leviton.com/evrgreen
 email: evrgreen@leviton.com

Q-1052

011317

Leviton Manufacturing Co., Inc.

201 N Service Rd, Melville, NY 11747
 Telephone: 1-800-323-8920 • FAX: 1-800-832-9538
 Tech Line (8:30AM-7:30PM E.S.T. Monday-Friday): 1-800-824-3005

© 2016 Leviton Manufacturing Co., Inc. All rights reserved.

